



# **PARTS CATALOG**

## **GRASS-TRIMMER / BRUSHCUTTER**

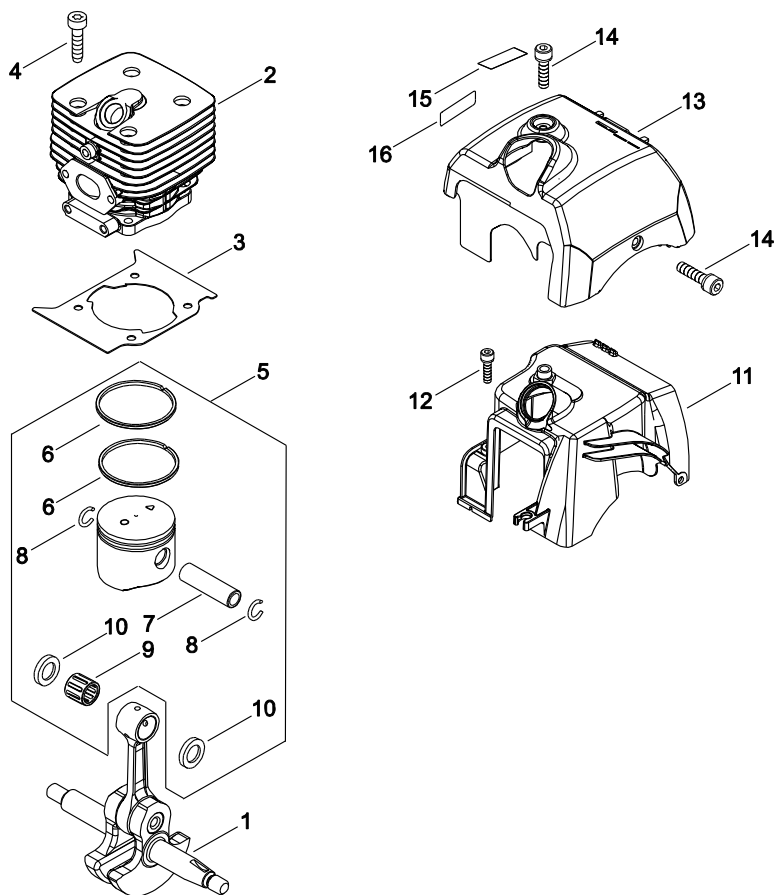
### **RM-520ES(37)**

**37000001 -**



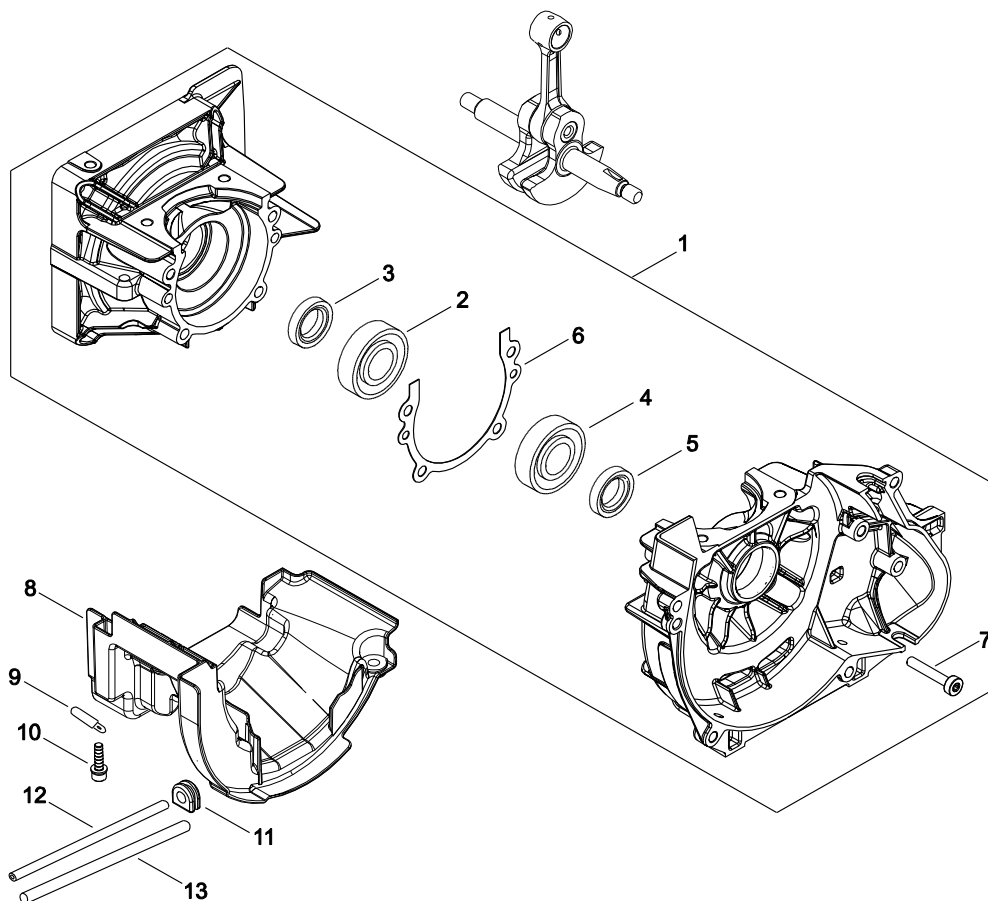
P014-005390-15K

# 1. CYLINDER, PISTON, CRANKSHAFT



KEY	LV	PART NUMBER	Q'TY	DESCRIPTION	REMARKS	NOTE1	NOTE2
1		A011-001350	1	CRANKSHAFT,ASY			
2		A130-002191	1	CYLINDER			
3		V100-000790	1	GASKET,CYL	T:0.8		
4		V805-000210	4	BOLT, TORX 5	TB-5*20 12.9		
5		P021-050440	1	PISTON KIT			
6	+	A101-000690	2	RING, PISTON	44*1.2*1.8		
7	+	V609-000000	1	PIN,ENG 11			
8	+	100015-32330	2	CIRCLIP, PISTON PIN			
9	+	V556-000000	1	BEARING,NEEDLE 11	KBK11*15*15.8X2		
10	+	V308-000100	2	WASHER,CIRCULAR 11			
11		A160-002930	1	COVER,CYLINDER			
12		V835-000000	1	BOLT, TORX 5			
13		A160-002631	1	COVER,CYLINDER			
14		V835-000000	2	BOLT, TORX 5			
15		X503-013650	1	LABEL,MODEL			
16		X547-002860	1	LABEL,ECHO			

2. CRANKCASE



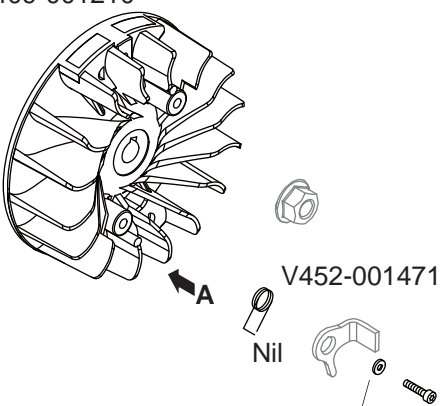
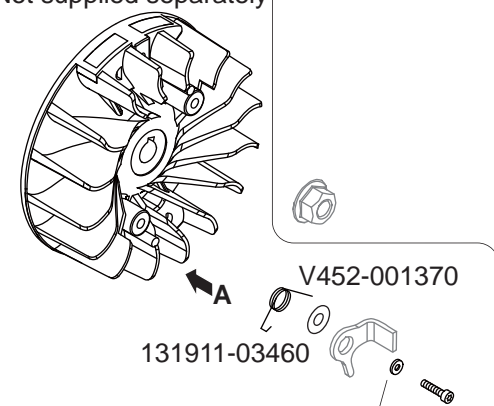


KEY	LV	PART NUMBER	QTY	DESCRIPTION	REMARKS	NOTE1	NOTE2
1		P021-047120	1	CRANK CASE SET			
2	+	900810-36202	1	BEARING, BALL 6202	6202/C3		
3	+	100213-00310	1	OILSEAL	ISCD 15 25 7		
4	+	900810-36202	1	BEARING, BALL 6202	6202/C3		
5	+	100213-00310	1	OILSEAL	ISCD 15 25 7		
6	+	V102-000260	1	GASKET,CRANKCASE	T:0.5		
7	+	V805-000180	4	BOLT, TORX 5	TB-5*30 12.9		
8		A209-000740	1	PLATE, INSULATOR			
9		159116-21231	1	CLAMP			
10		V835-000000	2	BOLT, TORX 5			
11		156110-04920	1	BUSHING			
12		V471-000740	1	PIPE			
13		V475-008080	1	TUBE	8*9*125		

# TECHNICAL INFORMATION

**SUBJECT:** Magneto rotor kit on **ECHO** and **shindaiwa** trimmer

**Number:** Y2021-701(1/2)

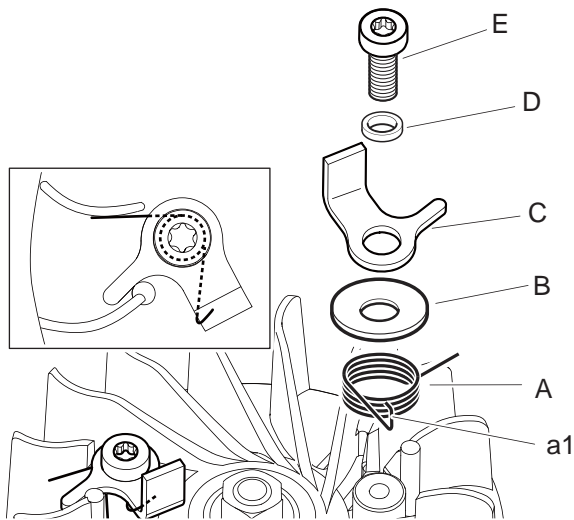
**Issued:** Mar. 31, 2021

Changed spacer and its related parts to start engine easily.		
<b>BCLS-520ES(38)</b>	Serial Number 38001900 and before	Serial Number 38001901 and after
<b>RM-520ES(38)</b>	Serial Number 38005650 and before	Serial Number 38005651 and after
<b>SRM-420ES(30)</b>	Serial Number 30001050 and before	Serial Number 30001051 and after
<b>SRM-420ES(38)</b>	Serial Number 38011793 and before	Serial Number 38011794 and after
<b>SRM-420ES-LW(38)</b>	Serial Number 38003471 and before	Serial Number 38003472 and after
<b>SRM-420TES(38)</b>	Serial Number 38013470 and before	Serial Number 38013471 and after
<b>SRM-520ES(38)</b>	Serial Number 38007900 and before	Serial Number 38007901 and after
<b>B410S(38)</b>	Serial Number 38010150 and before	Serial Number 38010151 and after
<b>B410S-LW(38)</b>	Serial Number 38003454 and before	Serial Number 38003455 and after
<b>B410TS(38)</b>	Serial Number 38010335 and before	Serial Number 38010336 and after
<b>B510S(38)</b>	Serial Number 38002300 and before	Serial Number 38002301 and after
<b>BP510S(38)</b>	Serial Number 38002900 and before	Serial Number 38002901 and after
<b>T410TS(38)</b>	Serial Number 38010277 and before	Serial Number 38010278 and after
<b>YE52B/E(38)</b>	Serial Number 38001513 and before	Serial Number 38001514 and after
<b>YE52B/S(38)</b>	Serial Number 38001486 and before	Serial Number 38001487 and after
<b>OH-5210(38)</b>	Serial Number 38001513 and before	Serial Number 38001514 and after
Magneto rotor	A409-001210*	Not supplied separately
Torsion spring		
Washer	Nil	131911-03460
Spacer (Ratchet)	177247-04630 Thickness: 2.1 mm	178070-10860 Thickness: 3.0 mm
Magneto rotor kit	Nil	P200-001380
		
	<b>View A</b>	<b>View A</b>
	Magneto rotor A409-001210* is superseded by magneto rotor kit P200-001380.	

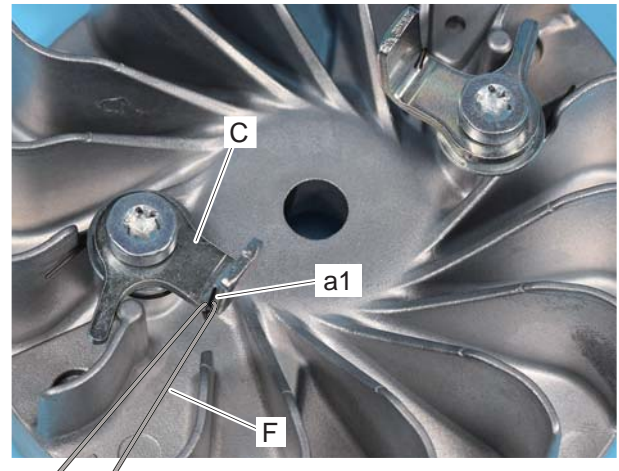
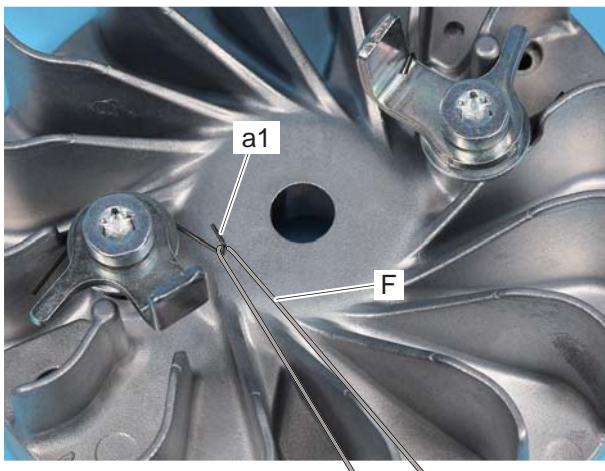
\*Magneto rotor A409-001210 can **NOT** be used on the unit after this change.

## TECHNICAL INFORMATION Number: Y2021-701(2/2)

### Assembling magneto rotor and current related parts



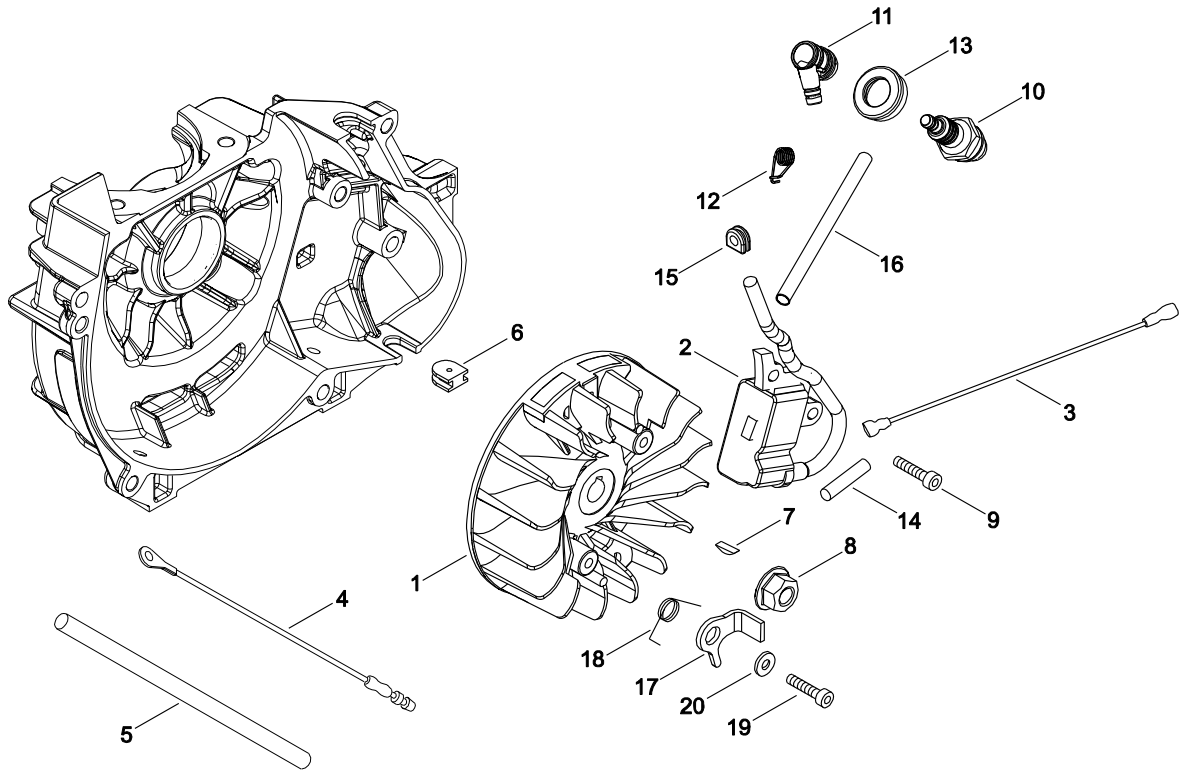
1. Install torsion spring (A), washer (B), pawl (C), spacer (D) and bolt (E). To avoid pinching of torsion spring, install these parts without setting the end (a1) of torsion spring on starter pawl.



2. Using fine wire (F) or appropriate tool, place the end (a1) of torsion spring on pawl (C), by hooking and passing under pawl as shown. Remove fine wire or tool.

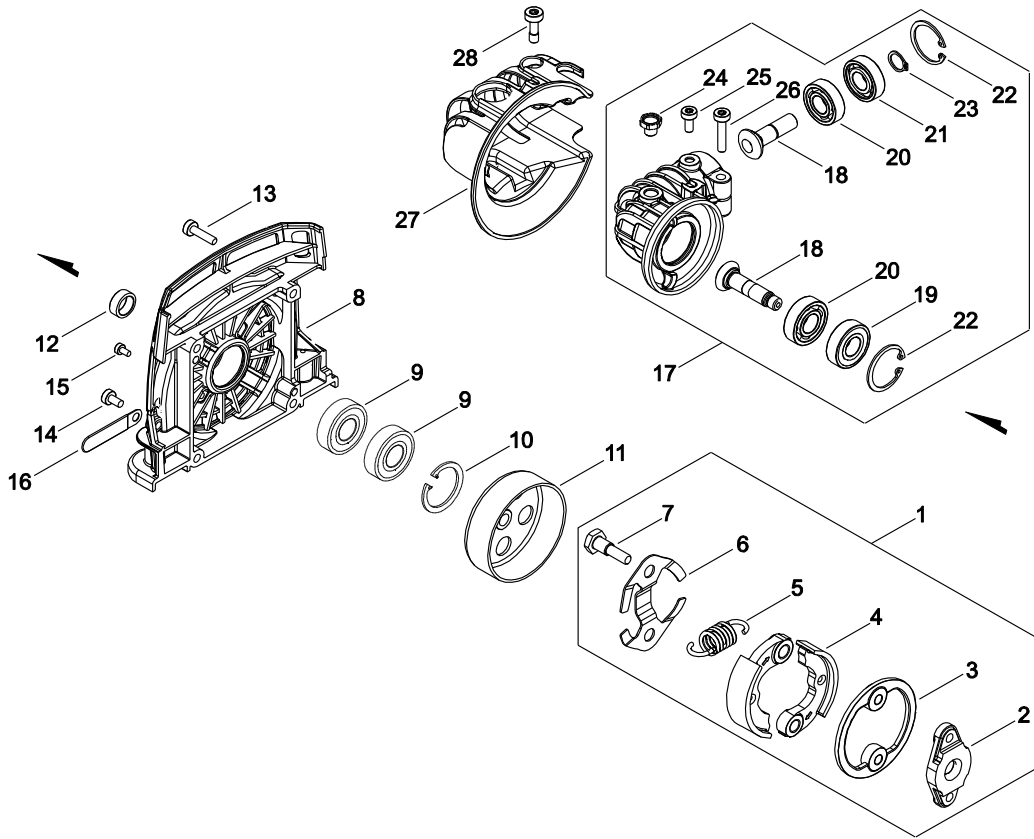
3. Make sure pawl (C) can move smoothly. If it does not move smoothly, check parts for correct installation.

3. MAGNETO



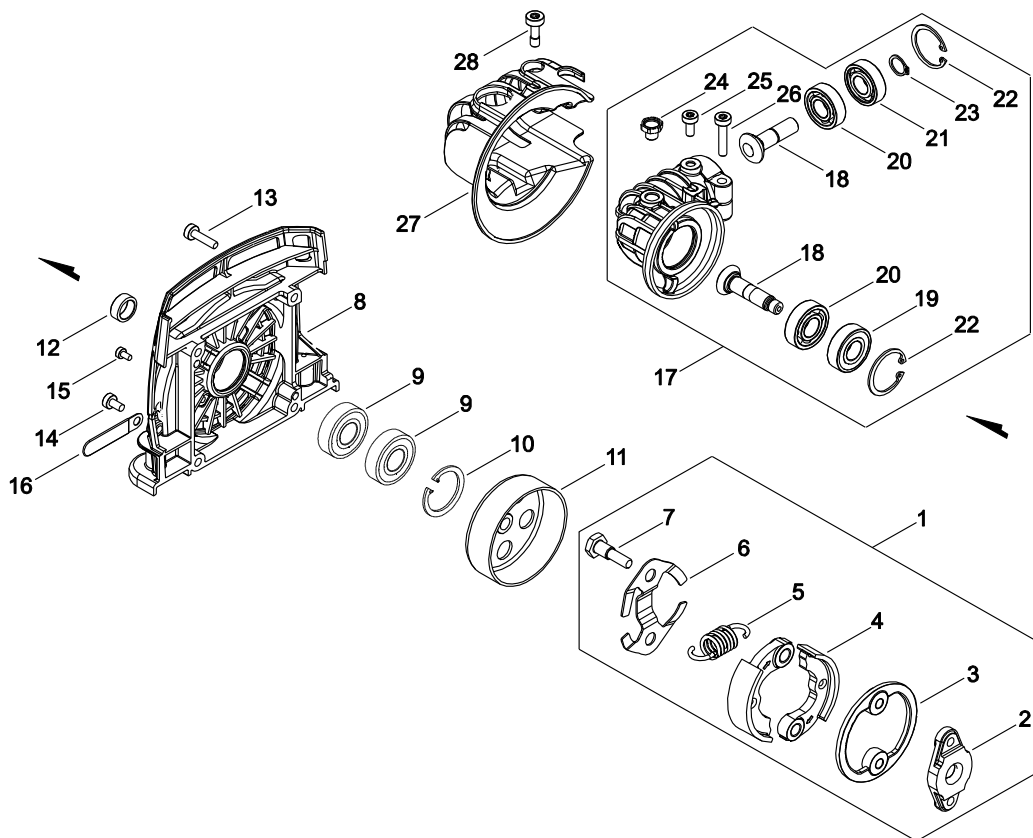
KEY	LV	PART NUMBER	Q'TY	DESCRIPTION	REMARKS	NOTE1	NOTE2
1		A409-001210	1	ROTOR, MAGNETO			
2		A411-001480	1	COIL, IGNITION			
3		V485-002331	1	LEAD			
4		V485-002570	1	LEAD			
5		V475-008080	1	TUBE	8*9*125		
6		156114-07320	1	GROMMET			
7		100142-12330	1	KEY, WOODRUFF			
8		92105-08000	1	NUT, FLANGE	M8*1.25 L		
9		V805-000150	2	BOLT, TORX 5	TB-5*16 10.9		
10		A425-000000	1	SPARKPLUG	BPMR8Y		
11		A427-000060	1	CAP, SPARK PLUG			
12		A426-000010	1	TERMINAL, SPARKPLUG			
13		A429-000090	1	COVER, CAP			
14		V475-007540	1	TUBE			
15		156110-04920	1	BUSHING			
16		V475-007550	1	TUBE			
17		A514-000280	2	PAWL			
18		V452-001471	2	SPRING, TORSION			
19		V805-000140	2	BOLT, TORX 5	TB-5*12 10.9		
20		177247-04630	2	SPACER, RATCHET	5.2*8*2.1		

4. CLUTCH



KEY	LV	PART NUMBER	Q'TY	DESCRIPTION	REMARKS	NOTE1	NOTE2
1		P021-050530	1	CLUTCH ASY			
2	+	A552-000450	1	HUB, CLUTCH			
3	+	V376-001980	1	SPACER			
4	+	A553-000170	2	ARM, CLUTCH			
5	+	A566-000230	1	SPRING, CLUTCH			
6	+	V453-000230	1	SPRING, FLAT			
7	+	A557-000190	2	SHAFT, CLUTCH			
8		A570-000340	1	CASE, CLUTCH			
9		900804-06001	2	BEARING, BALL 6001ZZ	6001ZZ		
10		900702-00028	1	CIRCLIP 28	CR-28		
11		A556-001730	1	DRUM, CLUTCH			
12		V357-000200	1	COLLAR			
13		V805-000160	4	BOLT, TORX 5	TB-5*20 10.9		
14		V805-000140	1	BOLT, TORX 5	TB-5*12 10.9		
15		V804-000040	1	BOLT, TORX 4	TB-4*10 10.9		
16		159116-21231	1	CLAMP			
17		P021-050540	1	GEAR CASE ASY			
18	+	V000-000240	1	GEAR SET, BEVEL			
19	+	94025-06001	1	BEARING, BALL			
20	+	94060-06001	2	BEARING, BALL	BB6001		
21	+	94063-06001	1	BEARING, BALL			
22	+	900702-00028	2	CIRCLIP 28	CR-28		
23	+	900701-00012	1	CIRCLIP 12	CS-12		
24	+	610434-50031	1	BOLT 8*8	M8*8		
25	+	V805-000140	1	BOLT, TORX 5	TB-5*12 10.9		

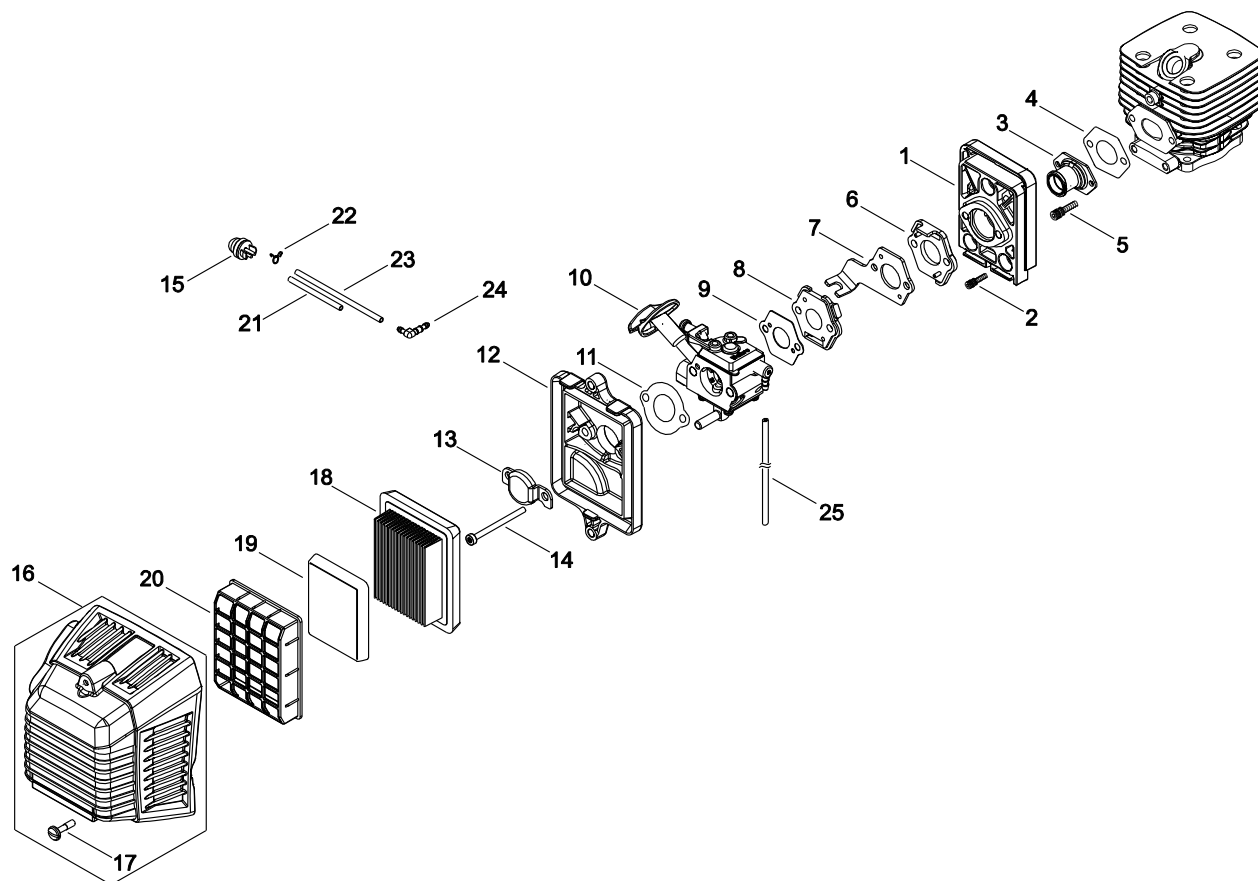
4. CLUTCH



KEY	LV	PART NUMBER	Q'TY	DESCRIPTION	REMARKS	NOTE1	NOTE2
26	+	V805-000220	1	BOLT, TORX 5	TB-5*25 12.9		
27		C537-000000	1	BOOT,GEAR CASE			
28		V805-000320	1	BOLT, TORX 5	TB-5*16 10.9		

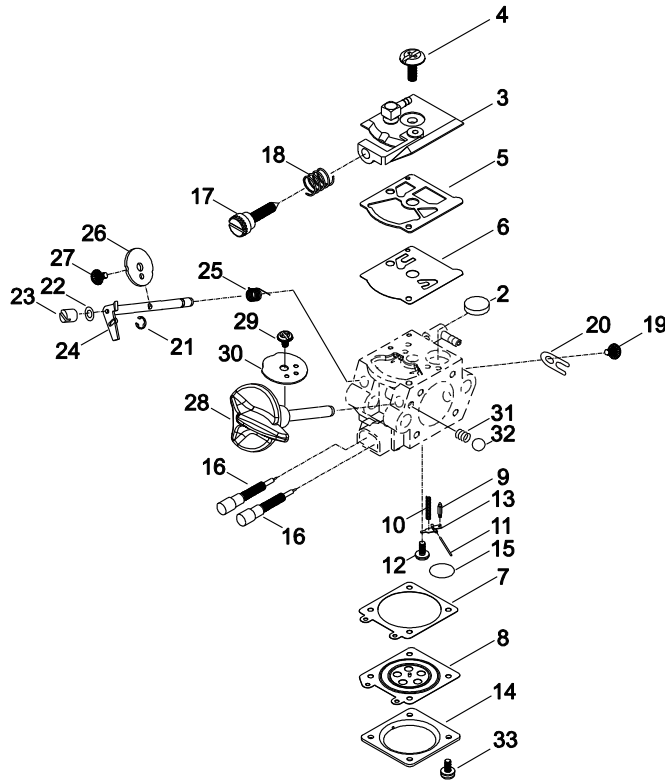


## 5. AIR CLEANER, CARBURETOR



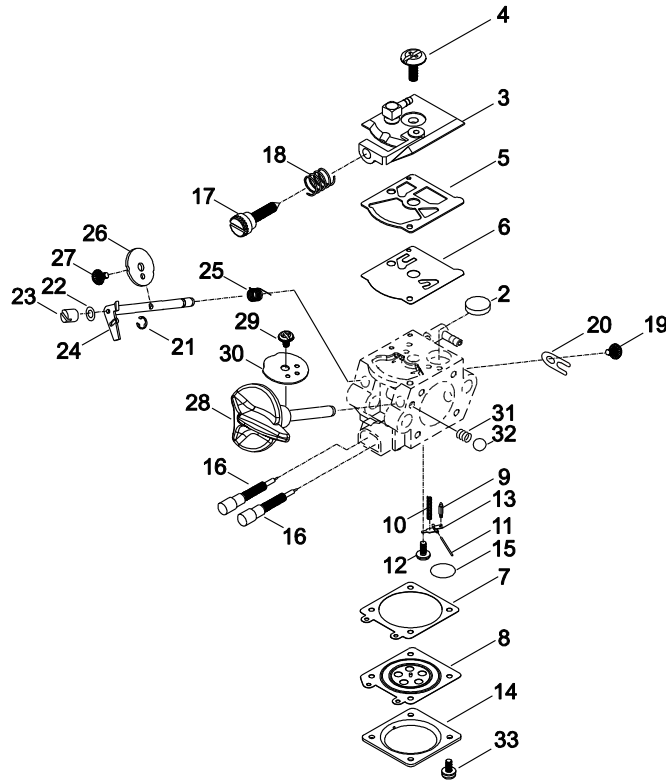
KEY	LV	PART NUMBER	Q'TY	DESCRIPTION	REMARKS	NOTE1	NOTE2
1		A200-000990	1	INSULATOR, INTAKE			
2		V855-000000	3	BOLT, TORX 5	TB-5*20		
3		A202-000270	1	BELLOWS, INTAKE			
4		V103-001620	1	GASKET,INTAKE			
5		V835-000010	2	BOLT, TORX 5	TB-5*12 10.9		
6		A209-000720	1	PLATE, INSULATOR			
7		C487-000410	1	HOLDER, CABLE			
8		A209-000840	1	PLATE, INSULATOR			
9		V103-001610	1	GASKET,INTAKE			
10		A021-004220	1	CARBURETOR,DIAPHRAGM	WT-1096		
11		V103-000500	1	GASKET,INTAKE	ASK NO.4600		
12		A225-000690	1	CASE, CLEANER			
13		A244-000290	1	PLATE, PREVENT			
14		V805-000330	2	BOLT, TORX 5	TB-5*65 12.9		
15		123181-39130	1	PUMP, PRIMER			
16		P021-047380	1	CLEANER LID ASY			
17	+	V253-000100	2	SCREW,5	5*20		
18		A226-000361	1	ELEMENT, AIR FILTER	AFP-2010K-300		
19		A226-001740	1	ELEMENT, AIR FILTER			
20		A227-000040	1	PLATE, ELEMENT			
21		V471-001300	1	PIPE	2.4*5*65		
22		V490-000510	1	CLIP			
23		V471-000550	1	PIPE	3*6*145		
24		V186-000500	1	JOINT,PIPE			
25		437217-20760	1	PIPE 3* 6*100	3*6*100 NBR		

6. CARBURETOR



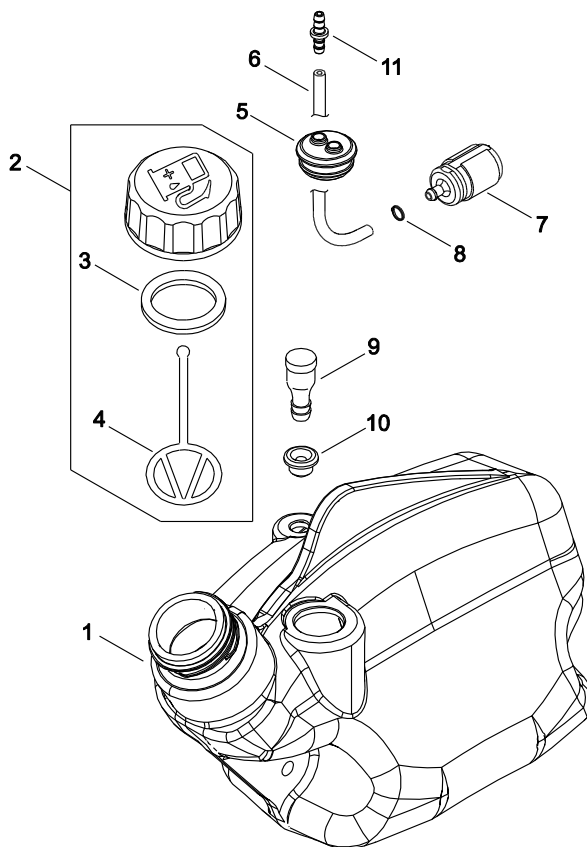
KEY	LV	PART NUMBER	Q'TY	DESCRIPTION	REMARKS	NOTE1	NOTE2
		A021-004220	1	CARBURETOR,DIAPHRAGM	WT-1096		
2	+	123126-10631	1	SCREEN, INLET			
3	+	P003-005450	1	PUMP COVER ASY			
4	+	123110-03930	1	SCREW, PUMP COVER			
5	+	123125-15030	1	GASKET, FUEL PUMP			
6	+	123112-15030	1	DIAPHRAGM, FUEL PUMP			
7	+	123140-27230	1	GASKET, M. DIAPHRAGM			
8	+	P003-001850	1	DIAPHRAGM, METERING			
9	+	123137-19830	1	VALVE, INLET NEEDLE			
10	+	123122-03660	1	SPRING, METER. LEVER			
11	+	123138-03930	1	PIN, METERING LEVER			
12	+	123139-03930	1	SCREW, M. LEVER PIN			
13	+	123123-03930	1	LEVER, METERING			
14	+	123142-03930	1	COVER, M. DIAPHRAGM			
15	+	123146-10631	1	PLUG, WELCH			
16	+	P003-002270	2	NEEDLE			
17	+	123134-04260	1	SCREW, IDLE ADJUST			
18	+	123133-04260	1	SPRING, IDLE ADJUST			
19	+	P003-005120	1	SCREW			
20	+	123127-03930	1	CLIP, THROTTLE SHAFT			
21	+	123173-07930	1	CLIP			
22	+	123149-54230	1	WASHER			
23	+	P003-005460	1	SWIVEL			
24	+	P003-005020	1	SHAFT ASM THROTTLE			
25	+	123113-47530	1	SPRING, THR. RTN.			

6. CARBURETOR



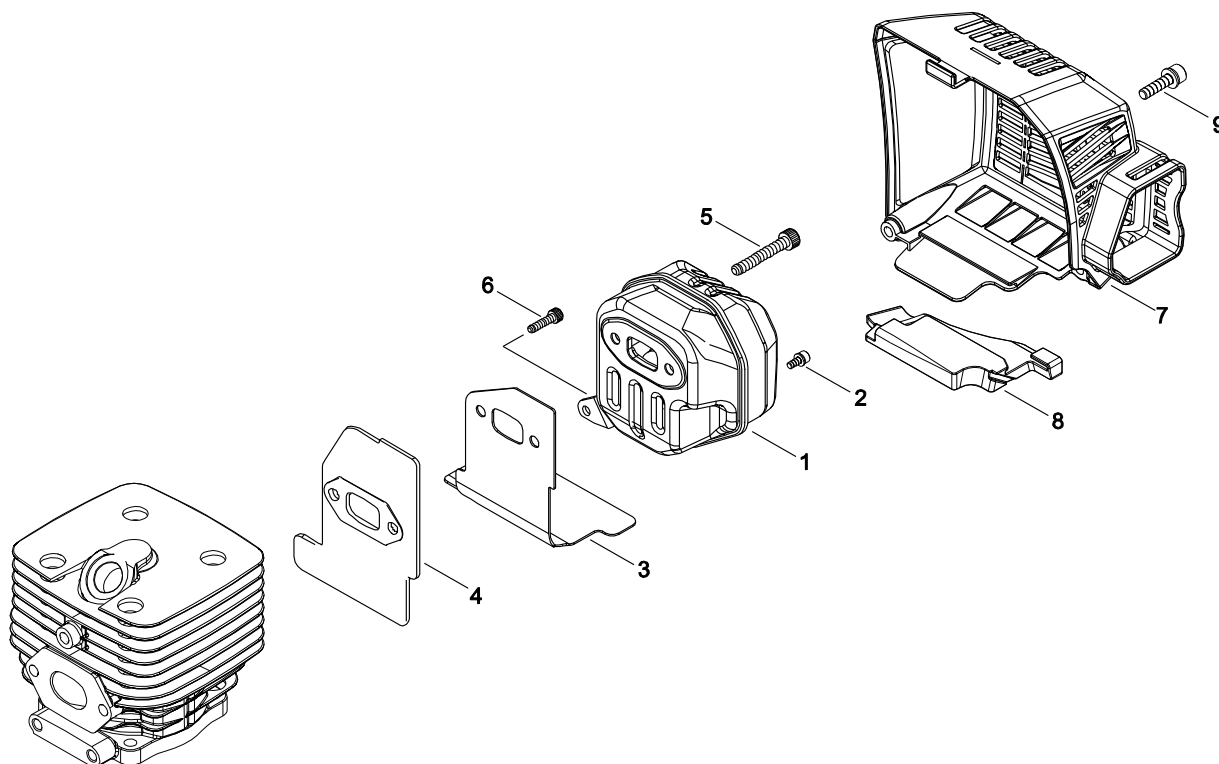
KEY	LV	PART NUMBER	Q'TY	DESCRIPTION	REMARKS	NOTE1	NOTE2
26	+	P003-000310	1	VALVE THROTTLE			
27	+	P003-002380	1	SCREW			
28	+	P003-005470	1	SHAFT ASY. CHOKE			
29	+	123114-38830	1	SCREW			
30	+	P003-001790	1	VALVE, CHOKE			
31	+	123135-10630	1	SPRING, CHOKE FRICT.			
32	+	123136-10630	1	BALL, CHOKE FRICTION			
33	+	123130-02960	4	SCREW			

7. FUEL TANK



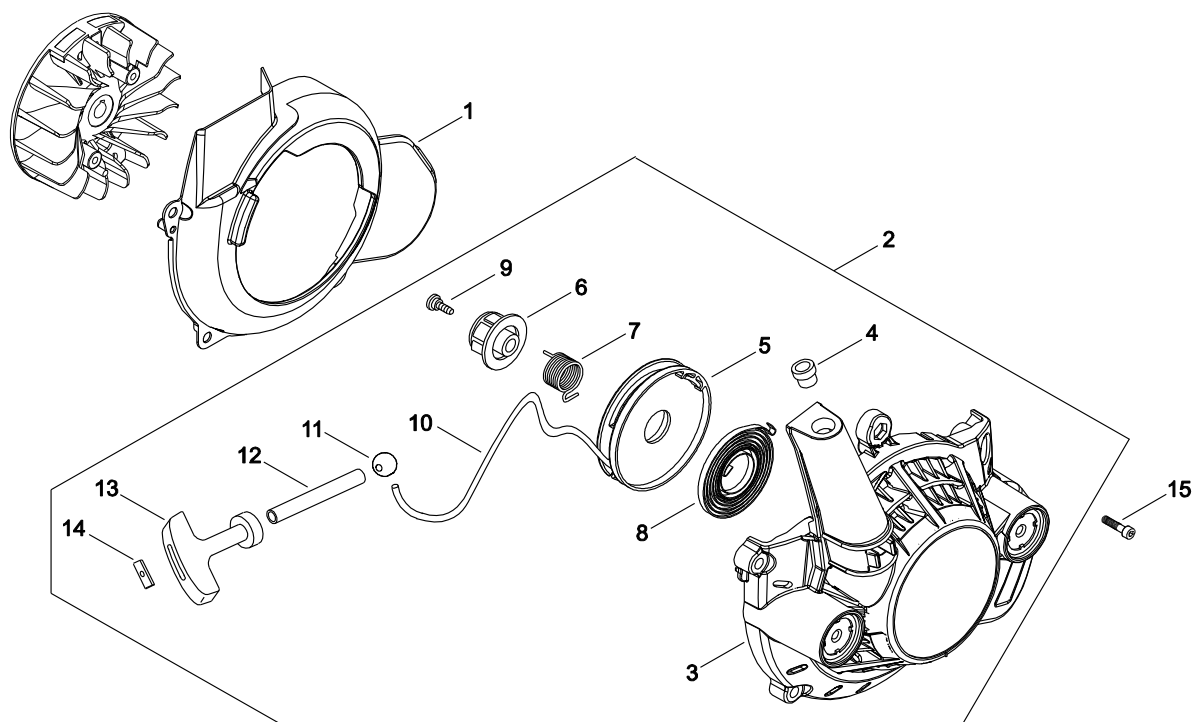
KEY	LV	PART NUMBER	Q'TY	DESCRIPTION	REMARKS	NOTE1	NOTE2
1		A350-002310	1	TANK, FUEL			
2		P021-012210	1	CAP, FUEL ASY			
3	+	131016-55830	1	GASKET, FUEL CAP			
4	+	A365-000060	1	CONNECTOR, CAP	L=123		
5		132115-56230	1	GROMMET, FUEL			
6		V471-002170	1	PIPE	3*5*230		
7		A369-000001	1	STRAINER, FUEL	125-528		
8		V490-001240	1	CLIP			
9		131300-56431	1	VENT ASSEMBLY, FUEL			
10		V137-000000	1	GROMMET, FUEL			
11		V186-000510	1	JOINT, PIPE			

8. MUFFLER



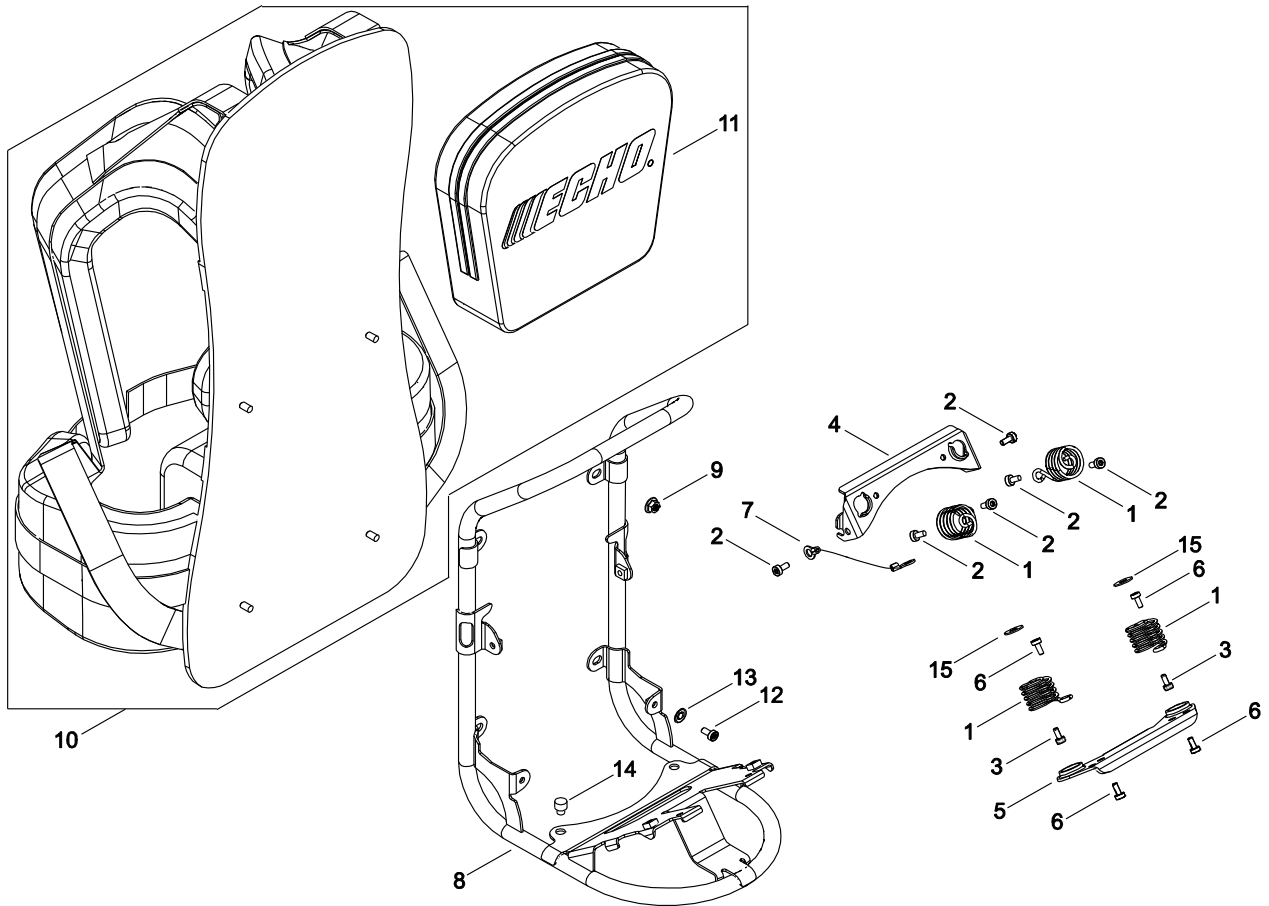
KEY	LV	PART NUMBER	Q'TY	DESCRIPTION	REMARKS	NOTE1	NOTE2
1		A300-001850	1	MUFFLER, EXHAUST	ID:2150		
2		V804-000030	1	BOLT, TORX 4	TB-4*8 10.9		
3		V104-002170	1	GASKET, EXHAUST	NP7002 T:1.0		
4		V104-002030	1	GASKET, EXHAUST			
5		V806-000050	2	BOLT, TORX 6	TB-6*20 12.9		
6		V805-000300	1	BOLT, TORX 5	TB-5*12 12.9		
7		A320-001000	1	COVER, MUFFLER			
8		V541-000540	1	SEAL			
9		V805-000260	2	BOLT, TORX 5	TB5*25 10.9		

# 9. RECOIL STARTER



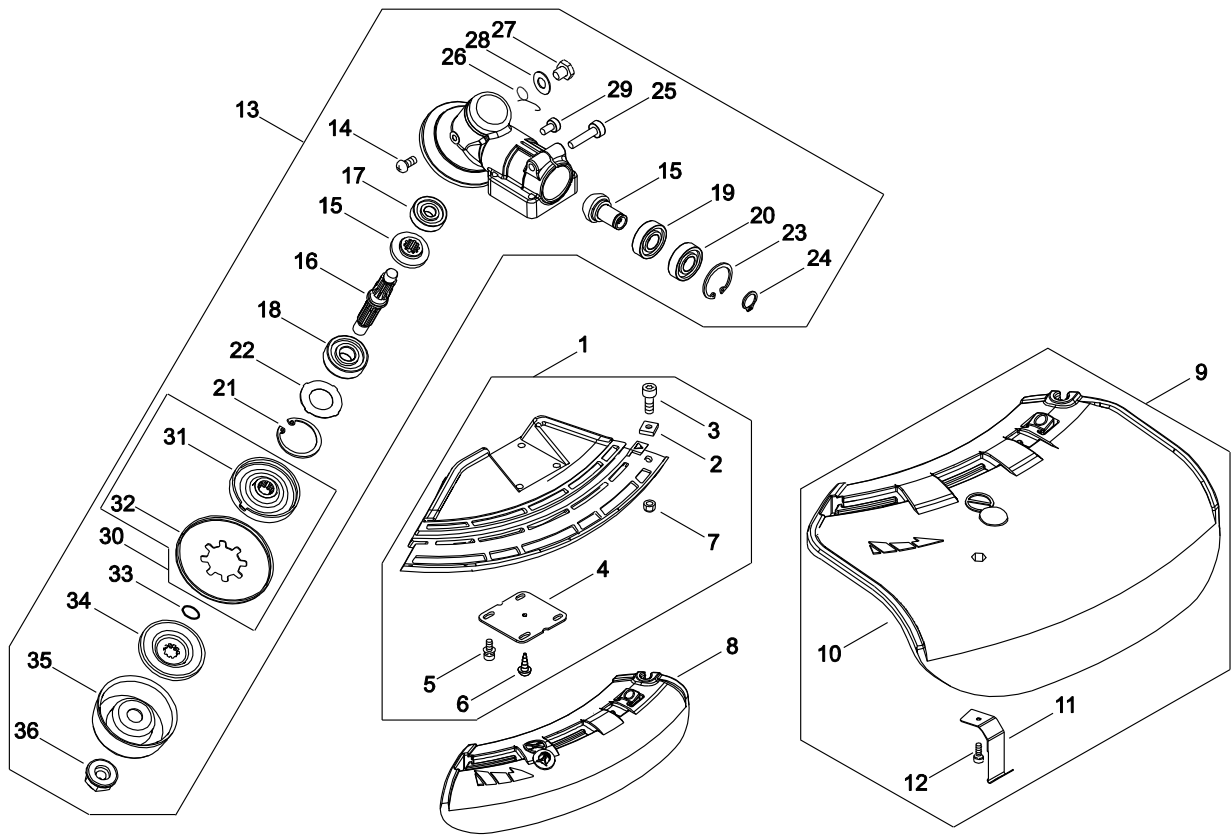
KEY	LV	PART NUMBER	Q'TY	DESCRIPTION	REMARKS	NOTE1	NOTE2
1		A172-002600	1	COVER,FAN			
2		A051-003170	1	STARTER,RECOIL ASY			
3	+	P022-042440	1	STARTER CASE			
4	+	177227-42030	1	GUIDE, ROPE			
5	+	P022-023140	1	DRUM, STARTER			
6	+	P022-033830	1	CAM			
7	+	P022-042450	1	SPRING DAMPER			
8	+	P022-042460	1	SPRING SPIRAL			
9	+	P022-023110	1	SCREW			
10	+	P022-042470	1	ROPE STARTER			
11	+	177272-10120	1	STOPPER			
12	+	V471-003161	1	PIPE	7*11*75 BLACK		
13	+	177228-27030	1	GRIP, STARTER			
14	+	P022-037670	1	STOPPER, ROPE			
15		V835-000030	4	BOLT, TORX 5	TB-5*20 10.9		

10. BACKPACK HARNESS



KEY	LV	PART NUMBER	Q'TY	DESCRIPTION	REMARKS	NOTE1	NOTE2
1		V450-000330	4	SPRING, COMPRESSION			
2		V805-000140	6	BOLT, TORX 5	TB-5*12 10.9		
3		V805-000000	2	BOLT, TORX 5	TT-5*16 DG 10.9		
4		V456-000350	1	HOLDER, SPRING			
5		V456-000340	1	HOLDER, SPRING			
6		V805-000140	4	BOLT, TORX 5	TB-5*12 10.9		
7		C617-000770	1	STOPPER			
8		C620-000490	1	FRAME, BACKPACK			
9		900516-00005	4	NUT, FRANGE 5	5		
10		C061-000700	1	HARNESS, ASM BACKPACK			
11	+	X698-000140	1	TOOL, CASE			
12		V805-000150	2	BOLT, TORX 5	TB-5*16 10.9		
13		177214-02830	2	WASHER	5.2*16*1.0T		
14		V420-001790	2	CUSHION			
15		177214-02830	2	WASHER	5.2*16*1.0T		

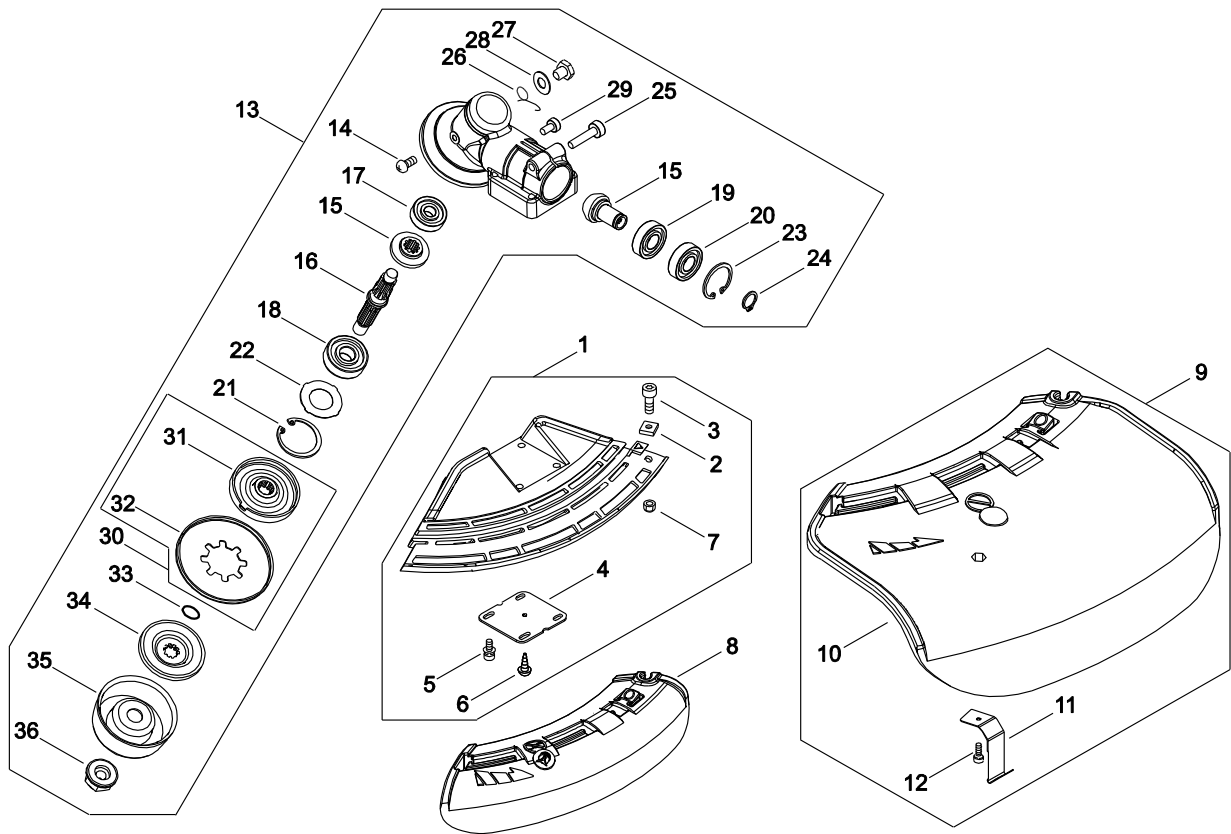
11. GEAR CASE, SHIELD



KEY	LV	PART NUMBER	Q'TY	DESCRIPTION	REMARKS	NOTE1	NOTE2
1		P021-050810	1	SHIELD BLADE ASY			
2	+	900565-00005	1	NUT	5		
3	+	V805-000170	1	BOLT, TORX 5	TB-5*25 10.9		
4	+	C552-000200	1	PLATE, SHIELD			
5	+	V805-000260	4	BOLT, TORX 5	TB5*25 10.9		
6	+	91316-04010	1	SCREW	M4*10		
7	+	900562-00005	1	NUT, LOCK	5		
8		C550-000551	1	SHIELD, BLADE			
9		P021-041320	1	SHIELD ASY, BLADE			
10	+	C550-000570	1	SHIELD, BLADE			
11	+	C554-000030	1	KNIFE, CORD	17INCH		
12	+	V805-000150	1	BOLT, TORX 5	TB-5*16 10.9		
13		P021-041342	1	CASE, GEAR			
14	+	900220-04006	1	SCREW 4*6	4*6		
15	+	610300-56930	1	GEAR SET			
16	+	610310-56933	1	SHAFT, P.T.O.	12*10*1		
17	+	900810-00629	1	BEARING, BALL 629			
18	+	900812-06201	1	BEARING, BALL 6201			
19	+	900800-06001	1	BEARING, BALL 6001			
20	+	900803-06001	1	BEARING, BALL 6001			
21	+	900702-00032	1	CIRCLIP 32	CR-32		
22	+	610444-56830	1	WASHER			
23	+	900702-00028	1	CIRCLIP 28	CR-28		
24	+	900701-00012	1	CIRCLIP 12	CS-12		
25	+	V806-000100	1	BOLT, TORX 6	TB-6*30 10.9		

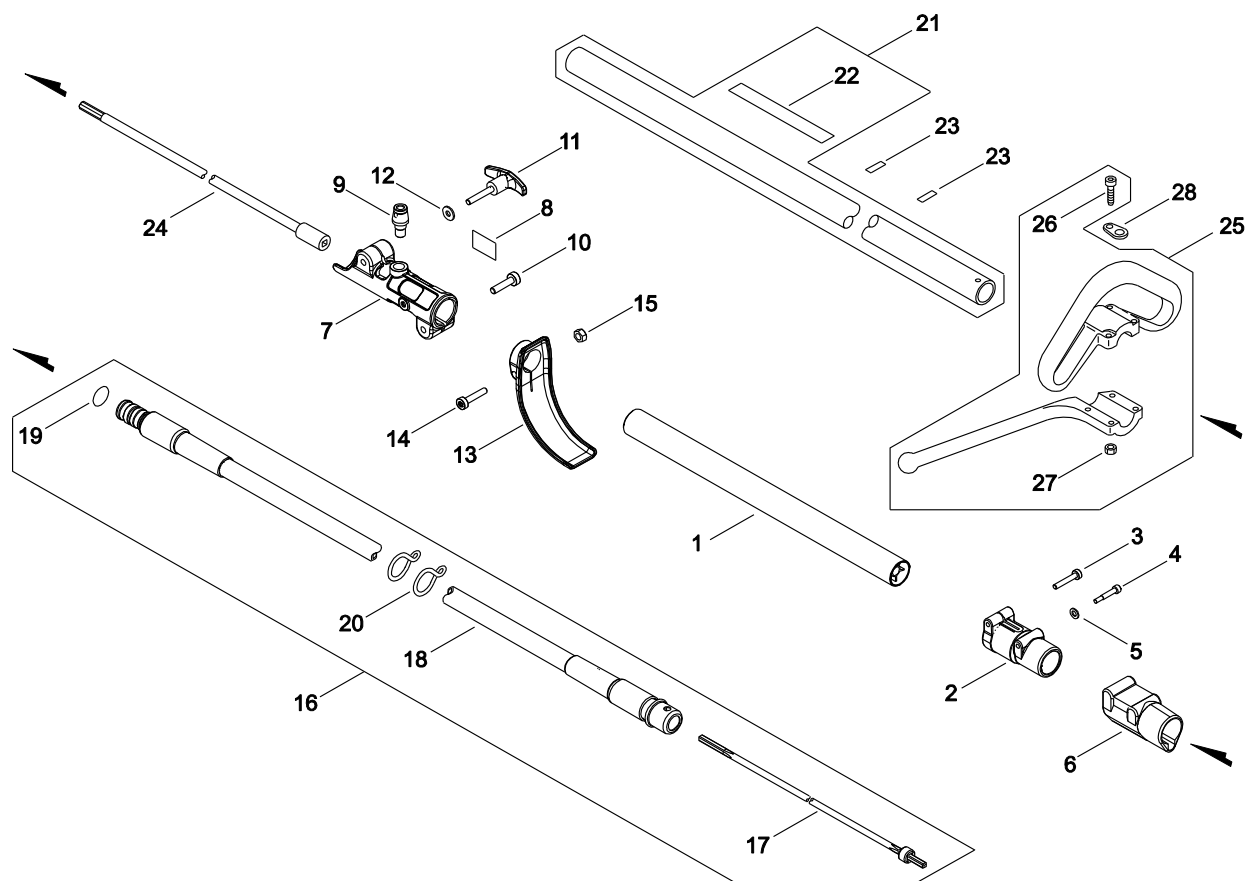


11. GEAR CASE, SHIELD



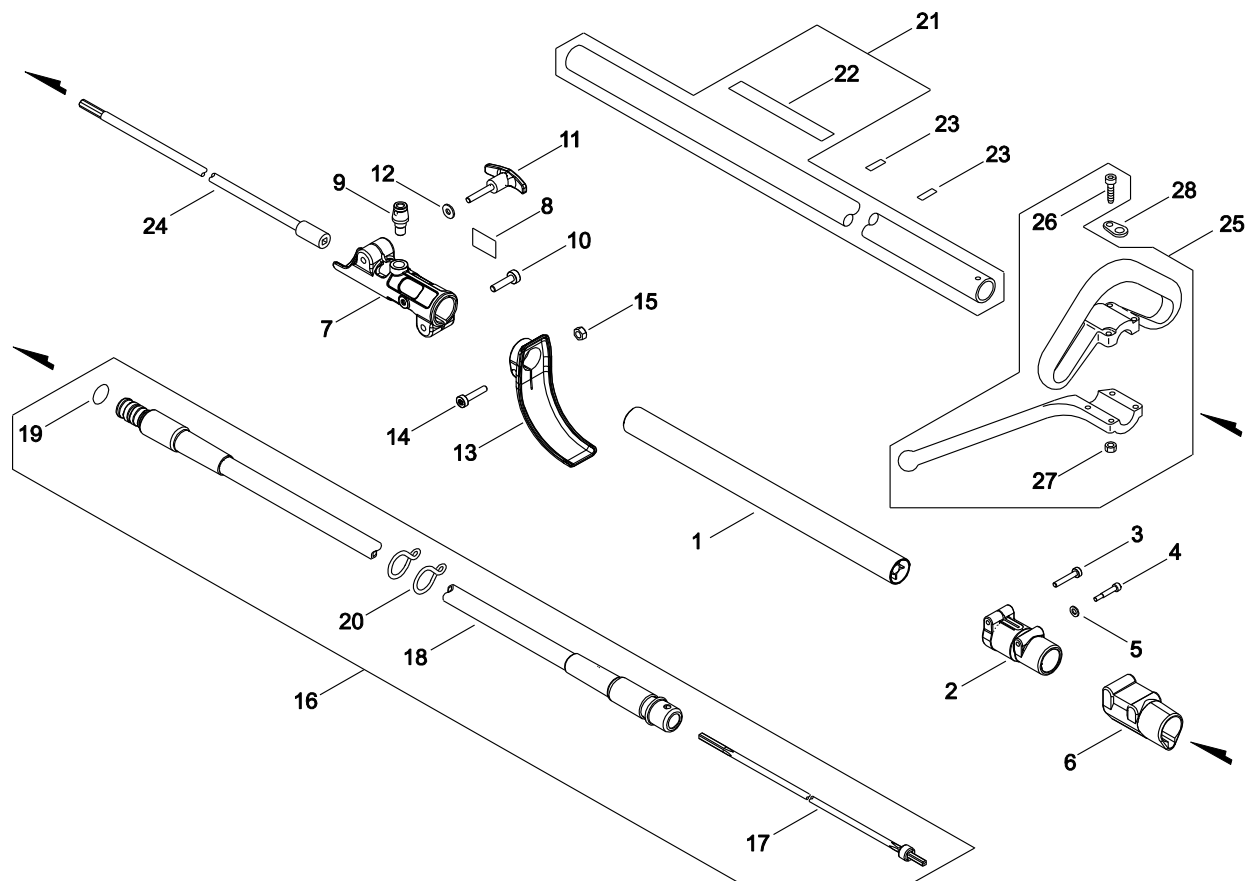
KEY	LV	PART NUMBER	QTY	DESCRIPTION	REMARKS	NOTE1	NOTE2
26	+	V452-001310	1	SPRING,TORSION			
27	+	610434-50031	1	BOLT 8*8	M8*8		
28	+	900603-50008	1	WASHER	8.5*18*0.8T		
29	+	V805-000130	1	BOLT, TORX 5	TB-5*10 10.9		
30	+	610313-52932	1	FIXTURE,BLADE			
31	++	610313-52132	1	FIXTURE,BLADE			
32	++	610352-56830	1	PLATE, CUP			
33	+	900720-00012	1	O-RING 12	P-12		
34	+	610314-52130	1	PLATE, ADAPTER (L)			
35	+	699229-56830	1	PLATE, COVER			
36	+	610320-52130	1	NUT 10			

## 12. MAIN PIPE, HANDLE



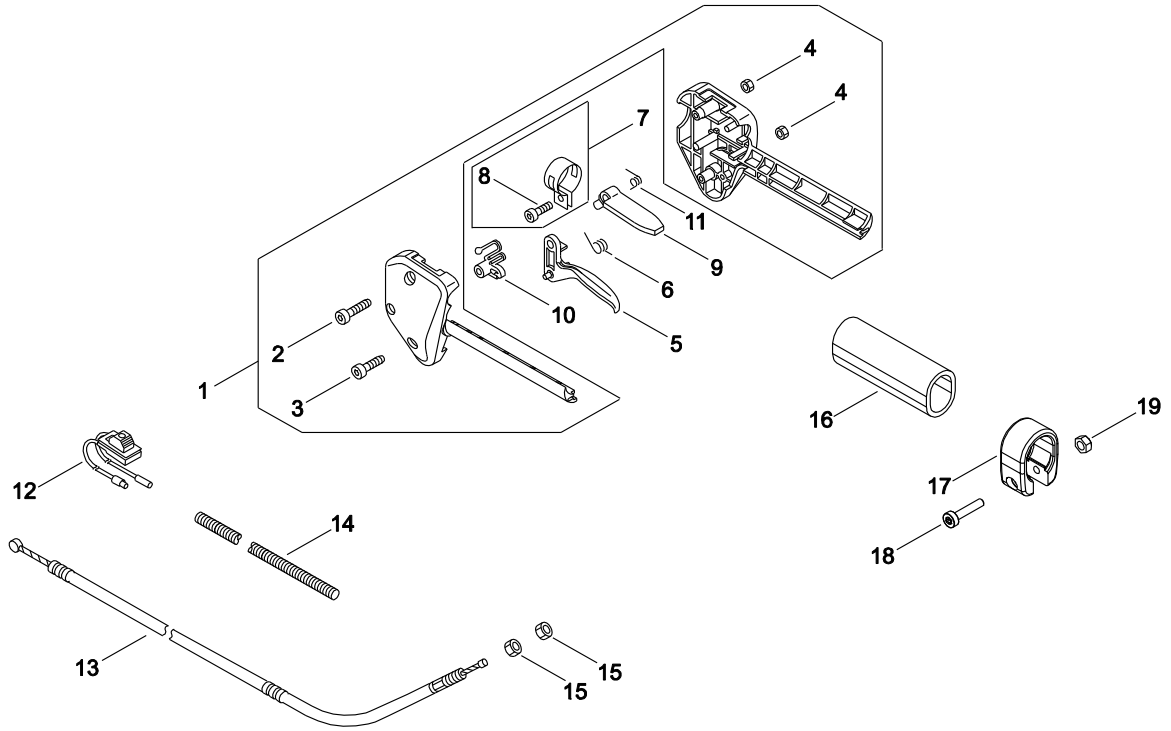
KEY	LV	PART NUMBER	Q'TY	DESCRIPTION	REMARKS	NOTE1	NOTE2
1		C050-002960	1	PIPE,MAIN			
2		C510-000290	1	COUPLING, MAIN PIPE			
3		V805-000050	1	BOLT, TORX 5	TB-5*30 10.9		
4		V203-002300	1	BOLT,5			
5		900600-00005	1	WASHER 5	5		
6		C483-000010	1	BOOT,CONNECTOR			
7		C510-000300	1	COUPLING, MAIN PIPE			
8		890160-42230	1	LABEL, CAUTION			
9		178302-56630	1	LATCH ASSY			
10		V806-000020	1	BOLT, TORX 6	TB-6*25 10.9		
11		V299-000620	1	KNOB,FASTENE			
12		V304-000160	1	WASHER			
13		A248-000050	1	GUARD, LEVER			
14		V805-000160	1	BOLT, TORX 5	TB-5*20 10.9		
15		900500-00005	1	NUT 5	5		
16		C057-000300	1	FLEX SHAFT,ASM			
17	+	C506-000460	1	SHAFT,FLEXIBLE			
18	+	C508-000090	1	COVER,FLEX SHAFT			
19	++	900720-00018	1	O-RING 18	P-18		
20	+	300318-56330	2	HOOK	9*30		
21		P021-050630	1	MAIN PIPE AS			
22	+	890617-43130	1	LABEL,CAUTION			
23		890152-04930	2	LABEL, CAUTION			
24		C504-001280	1	SHAFT, DRIVE			
25		P021-050660	1	FRONT HANDLE ASY			

# 12. MAIN PIPE, HANDLE



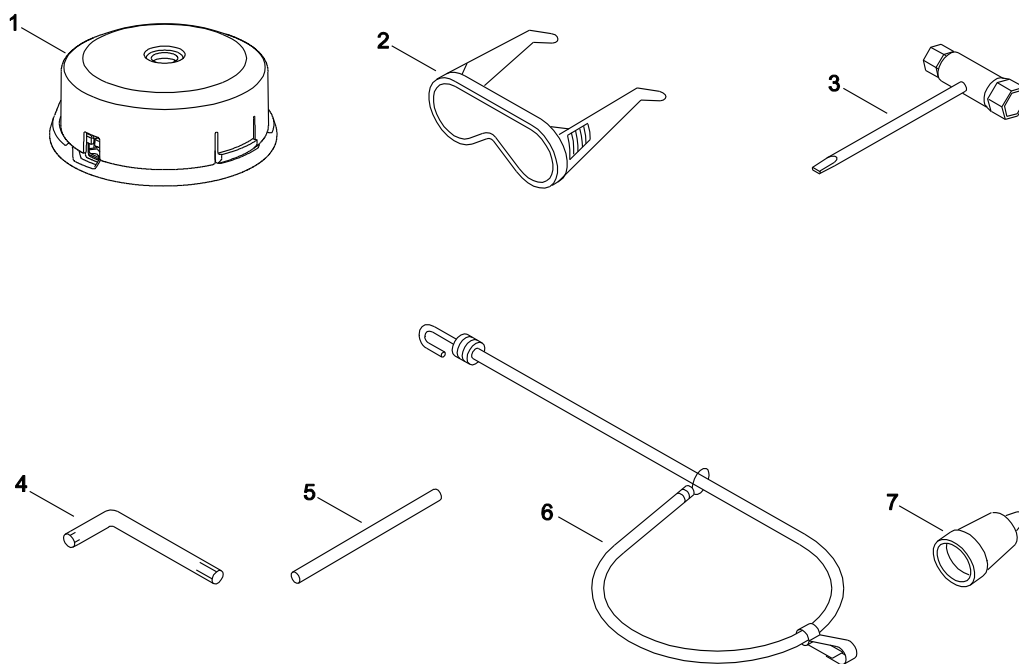
KEY	LV	PART NUMBER	Q'TY	DESCRIPTION	REMARKS	NOTE1	NOTE2
26	+	V805-000060	4	BOLT, TORX 5	TB-5*35 10.9		
27	+	900500-00005	4	NUT 5	5		
28		300515-07130	1	PLATE, ROPE			

13. THROTTLE



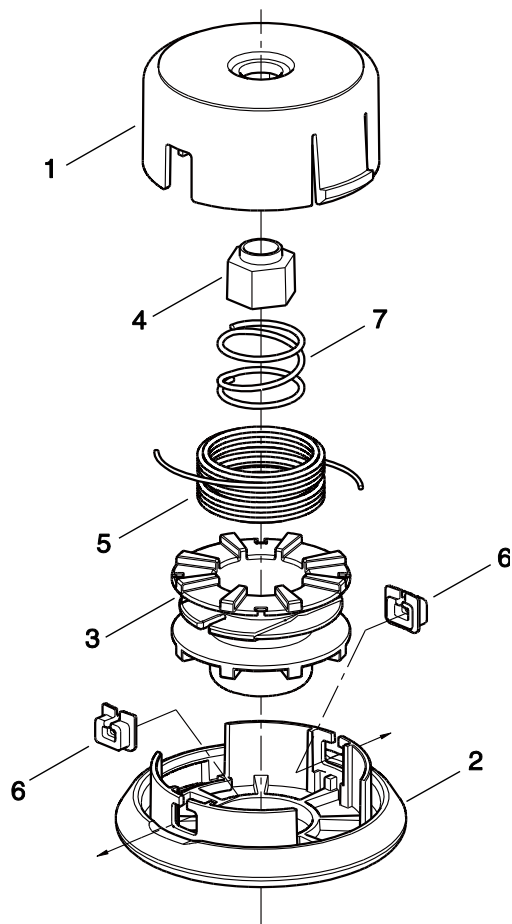
KEY	LV	PART NUMBER	Q'TY	DESCRIPTION	REMARKS	NOTE1	NOTE2
1		P021-050640	1	TRIGGER HOLDER SET			
2	+	V805-000060	1	BOLT, TORX 5	TB-5*35 10.9		
3	+	V805-000170	1	BOLT, TORX 5	TB-5*25 10.9		
4	+	900500-00005	2	NUT 5	5		
5		C450-000990	1	CONTROL, THROTTLE			
6		178043-42230	1	SPRING, THR. RETURN			
7		P021-050650	1	BAND ASY			
8	+	V805-000150	1	BOLT, TORX 5	TB-5*16 10.9		
9		178090-52632	1	LOCKOUT, T. CONTROL			
10		178012-52630	1	LOCKOUT, THROTTLE			
11		178013-52630	1	SPRING, THR. LOCK			
12		A440-002760	1	SWITCH, ON OFF			
13		V430-004930	1	CABLE, BOWDEN			
14		V475-008800	1	TUBE	7*1250		
15		900502-00006	2	NUT 6 (3N)	3N6		
16		C403-000140	1	GRIP, HANDLE	L129.5*28		
17		610272-52130	1	BAND			
18		V805-000260	1	BOLT, TORX 5	TB5*25 10.9		
19		900500-00005	1	NUT 5	5		

14. ACCESSORIES



KEY	LV	PART NUMBER	Q'TY	DESCRIPTION	REMARKS	NOTE1	NOTE2
1		X047-000321	1	CUTTER,ASM LINE			
2		X690-000080	1	GOGGLE	SI CHINA, Z87.1		
3		X602-000020	1	TOOL,WRENCH	17*19 L200		
4		X605-000170	1	TOOL,L WRENCH			
5		X606-000080	1	TOOL,BAR	5*120		
6		300500-07131	1	ROPE, ELASTIC			
7		C525-000070	1	CAP,MAIN PIPE			

# 15. NYLON LINE CUTTER



KEY	LV	PART NUMBER	Q'TY	DESCRIPTION	REMARKS	NOTE1	NOTE2
		X047-000321	1	CUTTER,ASM LINE			
1	+	P022-010420	1	HOUSING			
2	+	P022-010410	1	COVER			
3	+	P022-010400	1	BOBBIN			
4	+	P022-023180	1	NUT			
5	+	P022-010380	1	NYLON CODE			
6	+	P022-000710	2	EYELET			
7	+	P022-010370	1	SPRING			

## Index

Patrs Number	Key No.	Patrs Number	Key No.	Patrs Number	Key No.
100015-32330	1 - 8	437217-20760	5 - 25	A021-004220	6 -
100142-12330	3 - 7	610272-52130	13 - 17	A051-003170	9 - 2
100213-00310	2 - 3	610300-56930	11 - 15	A101-000690	1 - 6
100213-00310	2 - 5	610310-56933	11 - 16	A130-002191	1 - 2
123110-03930	6 - 4	610313-52132	11 - 31	A160-002631	1 - 13
123112-15030	6 - 6	610313-52932	11 - 30	A160-002930	1 - 11
123113-47530	6 - 25	610314-52130	11 - 34	A172-002600	9 - 1
123114-38830	6 - 29	610320-52130	11 - 36	A200-000990	5 - 1
123122-03660	6 - 10	610352-56830	11 - 32	A202-000270	5 - 3
123123-03930	6 - 13	610434-50031	4 - 24	A209-000720	5 - 6
123125-15030	6 - 5	610434-50031	11 - 27	A209-000740	2 - 8
123126-10631	6 - 2	610444-56830	11 - 22	A209-000840	5 - 8
123127-03930	6 - 20	699229-56830	11 - 35	A225-000690	5 - 12
123130-02960	6 - 33	890152-04930	12 - 23	A226-000361	5 - 18
123133-04260	6 - 18	890160-42230	12 - 8	A226-001740	5 - 19
123134-04260	6 - 17	890617-43130	12 - 22	A227-000040	5 - 20
123135-10630	6 - 31	900220-04006	11 - 14	A244-000290	5 - 13
123136-10630	6 - 32	900500-00005	12 - 15	A248-000050	12 - 13
123137-19830	6 - 9	900500-00005	12 - 27	A300-001850	8 - 1
123138-03930	6 - 11	900500-00005	13 - 4	A320-001000	8 - 7
123139-03930	6 - 12	900500-00005	13 - 19	A350-002310	7 - 1
123140-27230	6 - 7	900502-00006	13 - 15	A365-000060	7 - 4
123142-03930	6 - 14	900516-00005	10 - 9	A369-000001	7 - 7
123146-10631	6 - 15	900562-00005	11 - 7	A409-001210	3 - 1
123149-54230	6 - 22	900565-00005	11 - 2	A411-001480	3 - 2
123173-07930	6 - 21	900600-00005	12 - 5	A425-000000	3 - 10
123181-39130	5 - 15	900603-50008	11 - 28	A426-000010	3 - 12
131016-55830	7 - 3	900701-00012	4 - 23	A427-000060	3 - 11
131300-56431	7 - 9	900701-00012	11 - 24	A429-000090	3 - 13
132115-56230	7 - 5	900702-00028	4 - 10	A440-002760	13 - 12
156110-04920	2 - 11	900702-00028	4 - 22	A514-000280	3 - 17
156110-04920	3 - 15	900702-00028	11 - 23	A552-000450	4 - 2
156114-07320	3 - 6	900702-00032	11 - 21	A553-000170	4 - 4
159116-21231	2 - 9	900720-00012	11 - 33	A556-001730	4 - 11
159116-21231	4 - 16	900720-00018	12 - 19	A557-000190	4 - 7
177214-02830	10 - 13	900800-06001	11 - 19	A566-000230	4 - 5
177214-02830	10 - 15	900803-06001	11 - 20	A570-000340	4 - 8
177227-42030	9 - 4	900804-06001	4 - 9	C050-002960	12 - 1
177228-27030	9 - 13	900810-00629	11 - 17	C057-000300	12 - 16
177247-04630	3 - 20	900810-36202	2 - 2	C061-000700	10 - 10
177272-10120	9 - 11	900810-36202	2 - 4	C403-000140	13 - 16
178012-52630	13 - 10	900812-06201	11 - 18	C450-000990	13 - 5
178013-52630	13 - 11	91316-04010	11 - 6	C483-000010	12 - 6
178043-42230	13 - 6	92105-08000	3 - 8	C487-000410	5 - 7
178090-52632	13 - 9	94025-06001	4 - 19	C504-001280	12 - 24
178302-56630	12 - 9	94060-06001	4 - 20	C506-000460	12 - 17
300318-56330	12 - 20	94063-06001	4 - 21	C508-000090	12 - 18
300500-07131	14 - 6	A011-001350	1 - 1	C510-000290	12 - 2
300515-07130	12 - 28	A021-004220	5 - 10	C510-000300	12 - 7

**Index**

<b>Patrs Number</b>	<b>Key No.</b>	<b>Patrs Number</b>	<b>Key No.</b>	<b>Patrs Number</b>	<b>Key No.</b>
C525-000070	14 - 7	V103-000500	5 - 11	V805-000140	4 - 25
C537-000000	4 - 27	V103-001610	5 - 9	V805-000140	10 - 2
C550-000551	11 - 8	V103-001620	5 - 4	V805-000140	10 - 6
C550-000570	11 - 10	V104-002030	8 - 4	V805-000150	3 - 9
C552-000200	11 - 4	V104-002170	8 - 3	V805-000150	10 - 12
C554-000030	11 - 11	V137-000000	7 - 10	V805-000150	11 - 12
C617-000770	10 - 7	V186-000500	5 - 24	V805-000150	13 - 8
C620-000490	10 - 8	V186-000510	7 - 11	V805-000160	4 - 13
P003-000310	6 - 26	V203-002300	12 - 4	V805-000160	12 - 14
P003-001790	6 - 30	V253-000100	5 - 17	V805-000170	11 - 3
P003-001850	6 - 8	V299-000620	12 - 11	V805-000170	13 - 3
P003-002270	6 - 16	V304-000160	12 - 12	V805-000180	2 - 7
P003-002380	6 - 27	V308-000100	1 - 10	V805-000210	1 - 4
P003-005020	6 - 24	V357-000200	4 - 12	V805-000220	4 - 26
P003-005120	6 - 19	V376-001980	4 - 3	V805-000260	8 - 9
P003-005450	6 - 3	V420-001790	10 - 14	V805-000260	11 - 5
P003-005460	6 - 23	V430-004930	13 - 13	V805-000260	13 - 18
P003-005470	6 - 28	V450-000330	10 - 1	V805-000300	8 - 6
P021-012210	7 - 2	V452-001310	11 - 26	V805-000320	4 - 28
P021-041320	11 - 9	V452-001471	3 - 18	V805-000330	5 - 14
P021-041342	11 - 13	V453-000230	4 - 6	V806-000020	12 - 10
P021-047120	2 - 1	V456-000340	10 - 5	V806-000050	8 - 5
P021-047380	5 - 16	V456-000350	10 - 4	V806-000100	11 - 25
P021-050440	1 - 5	V471-000550	5 - 23	V835-000000	1 - 12
P021-050530	4 - 1	V471-000740	2 - 12	V835-000000	1 - 14
P021-050540	4 - 17	V471-001300	5 - 21	V835-000000	2 - 10
P021-050630	12 - 21	V471-002170	7 - 6	V835-000010	5 - 5
P021-050640	13 - 1	V471-003161	9 - 12	V835-000030	9 - 15
P021-050650	13 - 7	V475-007540	3 - 14	V855-000000	5 - 2
P021-050660	12 - 25	V475-007550	3 - 16	X047-000321	14 - 1
P021-050810	11 - 1	V475-008080	2 - 13	X047-000321	15 -
P022-000710	15 - 6	V475-008080	3 - 5	X503-013650	1 - 15
P022-010370	15 - 7	V475-008800	13 - 14	X547-002860	1 - 16
P022-010380	15 - 5	V485-002331	3 - 3	X602-000020	14 - 3
P022-010400	15 - 3	V485-002570	3 - 4	X605-000170	14 - 4
P022-010410	15 - 2	V490-000510	5 - 22	X606-000080	14 - 5
P022-010420	15 - 1	V490-001240	7 - 8	X690-000080	14 - 2
P022-023110	9 - 9	V541-000540	8 - 8	X698-000140	10 - 11
P022-023140	9 - 5	V556-000000	1 - 9		
P022-023180	15 - 4	V609-000000	1 - 7		
P022-033830	9 - 6	V804-000030	8 - 2		
P022-037670	9 - 14	V804-000040	4 - 15		
P022-042440	9 - 3	V805-000000	10 - 3		
P022-042450	9 - 7	V805-000050	12 - 3		
P022-042460	9 - 8	V805-000060	12 - 26		
P022-042470	9 - 10	V805-000060	13 - 2		
V000-000240	4 - 18	V805-000130	11 - 29		
V100-000790	1 - 3	V805-000140	3 - 19		
V102-000260	2 - 6	V805-000140	4 - 14		



# YAMABIKO CORPORATION

7-2 SUEHIROCHO 1-CHOME, OHME, TOKYO 198-8760, JAPAN  
PHONE: 81-428-32-6118. FAX: 81-428-32-6145.



-15K  
No. 08-073